

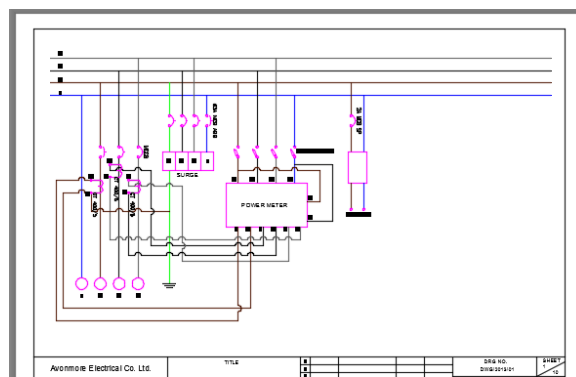
RWM ELECTRIC CHAIN HOIST – ELECTRICAL DRAWINGS

PALAN A CHAINE ÉLECTRIQUE RWM – DESSINS ÉLECTRIQUE

Electrical drawing 120/1/60 (brake 103V) (1-speed hoist)	p. 2	Dessin électrique 120/1/60 (frein 103V) (1 vitesse palan)
Electrical drawing 600/3/60 (brake 180V) (1-speed hoist)	p. 3	Dessin électrique 600/3/60 (frein 180V) (1-vitesse palan)
Electrical drawing 600/3/60 (brake 180V) (2-speed hoist)	p. 4	Dessin électrique 600/3/60 (frein 180V) (2 vitesses palan)
Electrical drawing 600/3/60 (brake 180V) (2-speed hoist / 1-speed trolley)	p. 5	Dessin électrique 600/3/60 (frein 180V) (2 vitesses palan / 1 vitesse chariot)
Electrical drawing 600/3/60 (brake 180V) (2-speed hoist / 2-speed trolley)	p. 6	Dessin électrique 600/3/60 (frein 180V) (2 vitesses palan / 2 vitesses chariot)

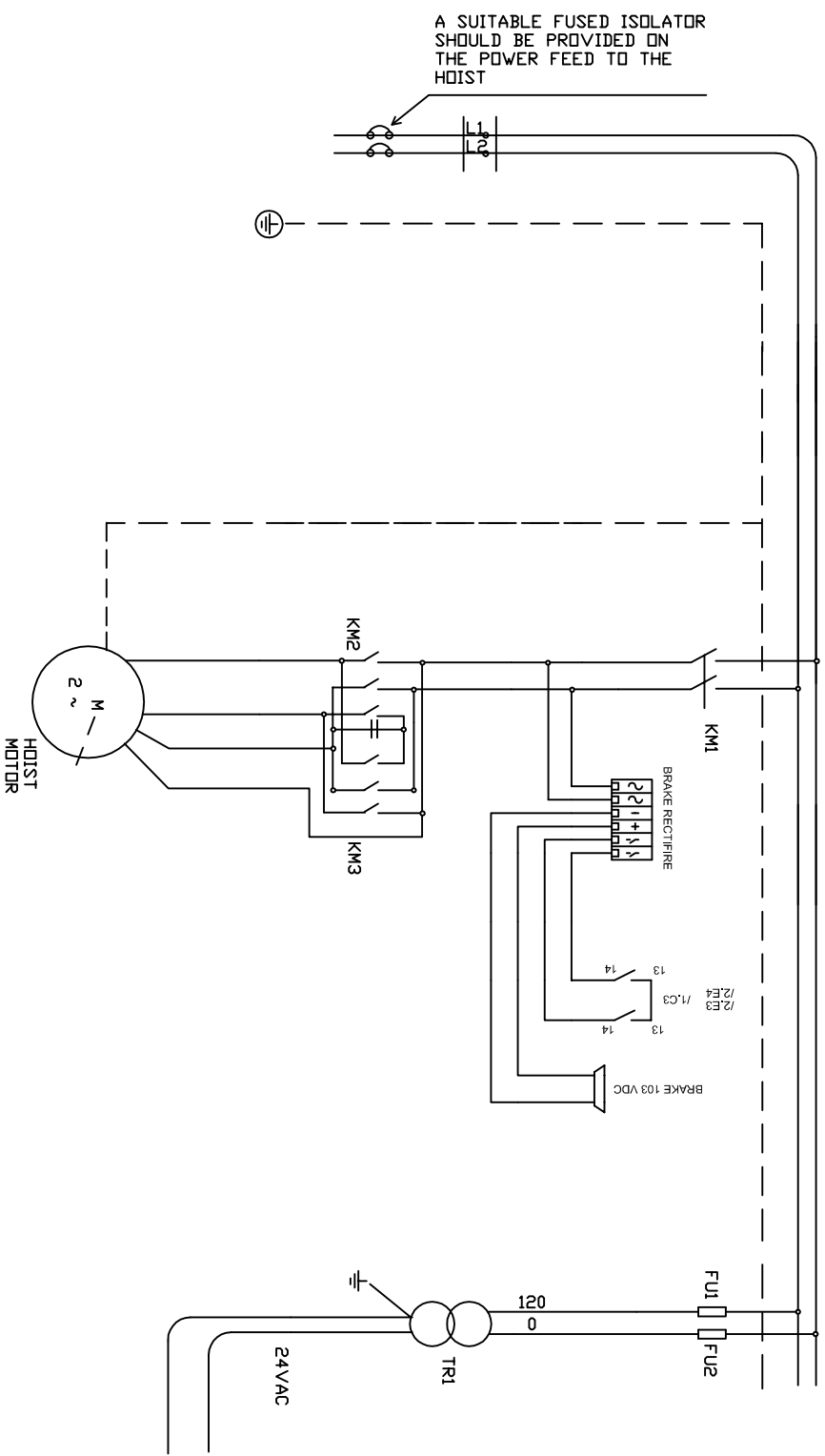
For all other voltages, please call us @ 1.877.729.2124

Pour tout autres voltages, S.V.P. nous contacter au 1.877.729.2124



ELECTRICAL DRAWING FOR SINGLE
 SPEED HOIST
 POWER VOLT 120V 60 HZ 1 PHASE
 LOW TENSION 24V
 HOIST BRAKE 103 VOLT DC

R-W-M
 electric chain hoists



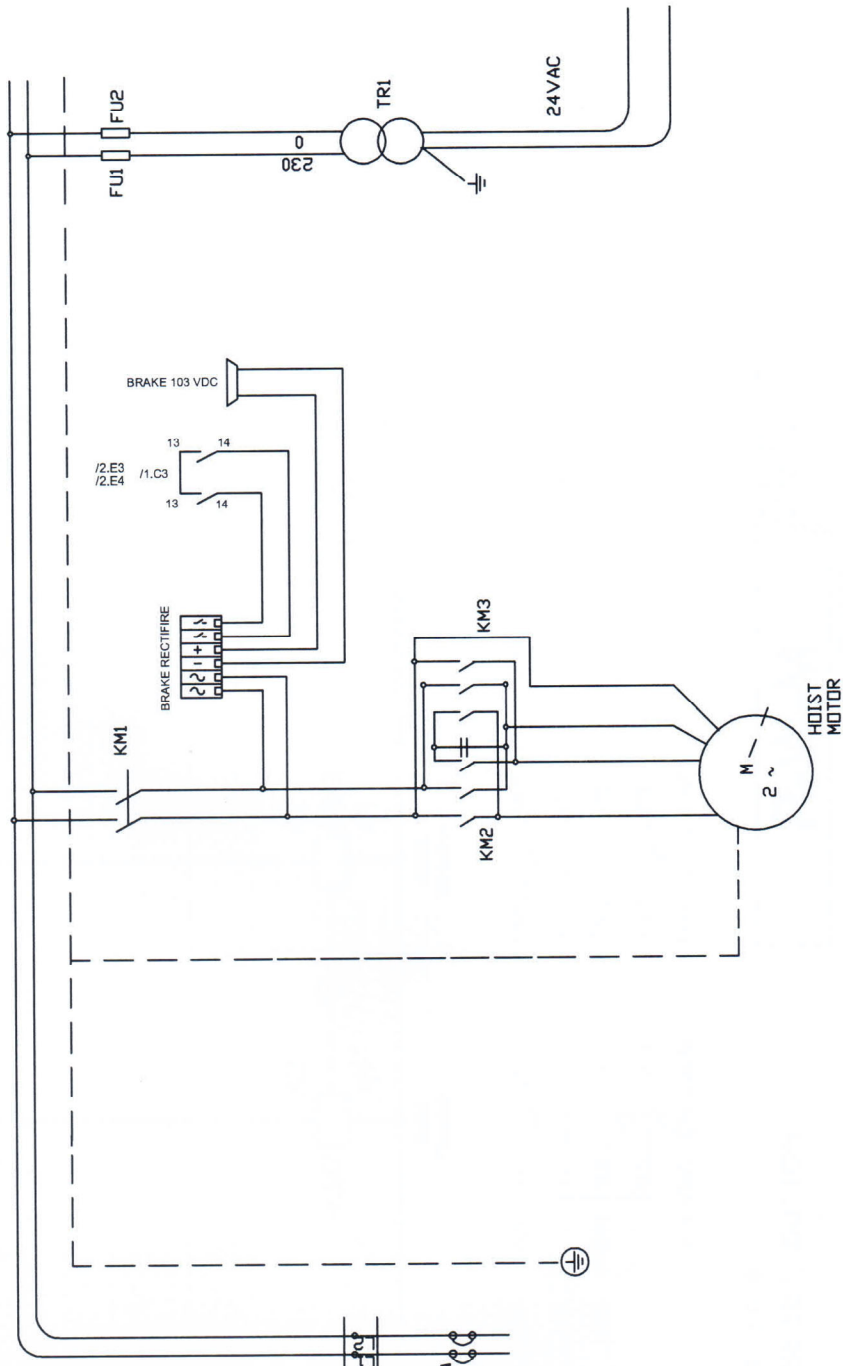
LEGEND :
 SB1 : EMERGENCY BUTTON
 SB2,SB3 : BUTTONS
 KM2,KM3 : HOIST CONTACTORS
 KM1 : CONTACTOR OF LINE
 KM4,KM5 : TRILLEY CONTACTORS
 TR1 : TRANSFORMER 20VA
 FU1,2 : FUSE (1A)

ELECTRICAL DRAWING FOR SINGLE
 SPEED HOIST
 POWER VOLT 230V 60 HZ 1 PHASE
 LOW TENSION 24V
 HOIST BRAKE 103 VOLT DC

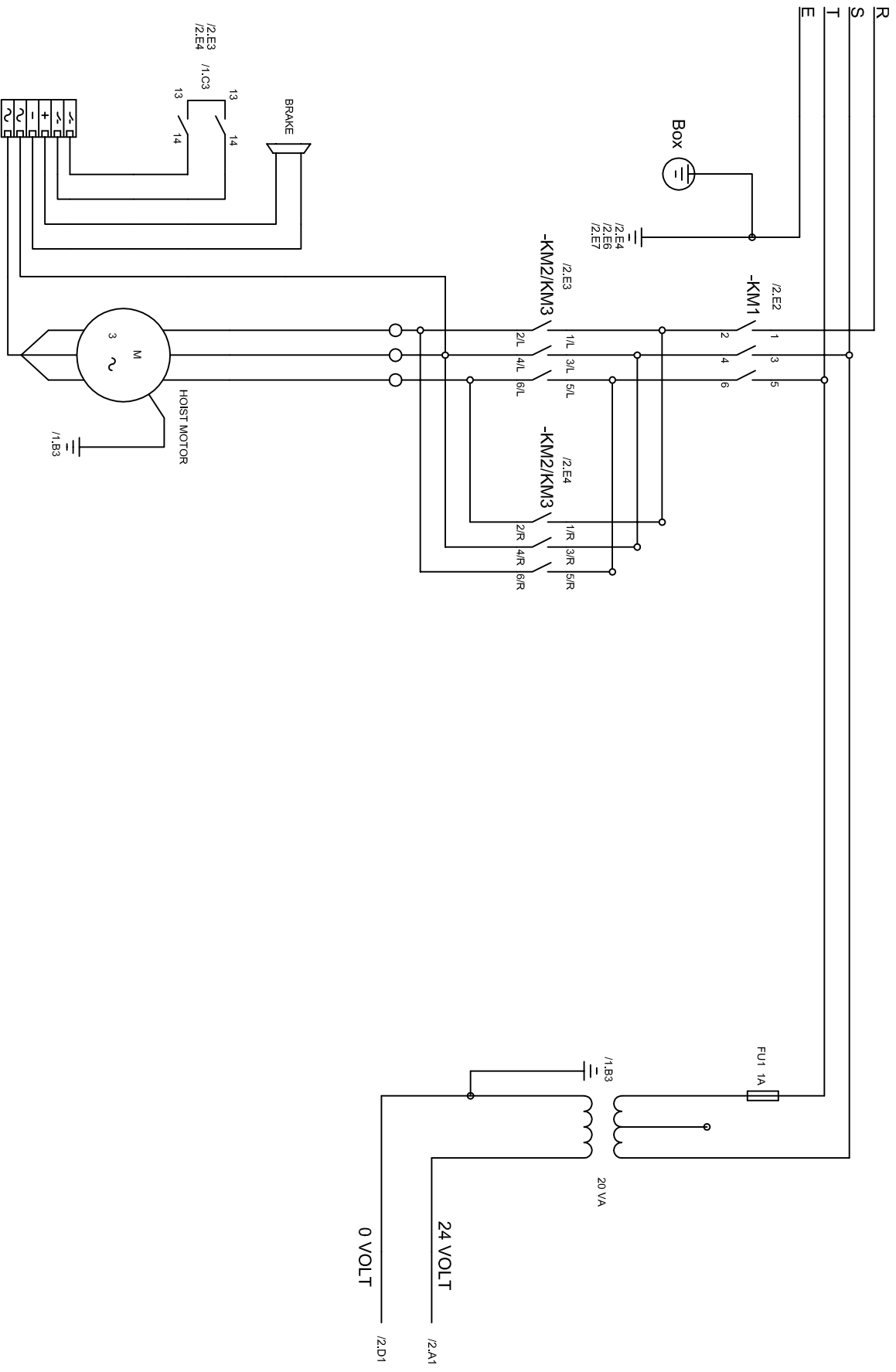
R-W-M

electric chain hoists

A SUITABLE FUSED ISOLATOR
 SHOULD BE PROVIDED ON
 THE POWER FEED TO THE
 HOIST



LEGEND :
 SB1 : EMERGENCY BUTTON
 SB2, SB3 : BUTTONS
 KM2, KM3 : HOIST CONTACTORS
 KM1 : CONTACTOR OF LINE
 KM4, KM5 : TROLLEY CONTACTORS
 TR1 : TRANSFORMER 20VA
 FU1, 2 : FUSE (1A)



R-W-M		TITLE	
		ELECTRICAL DRAWING FOR	
		HOIST SINGLE SPEED	
		BRAKE 180 V. DC	
Cod.	POT. W 1V	Cod.	POT. W 1V
VOLT 600 HZ 60		VOLT 600 HZ 60	

DATE 19/09/13

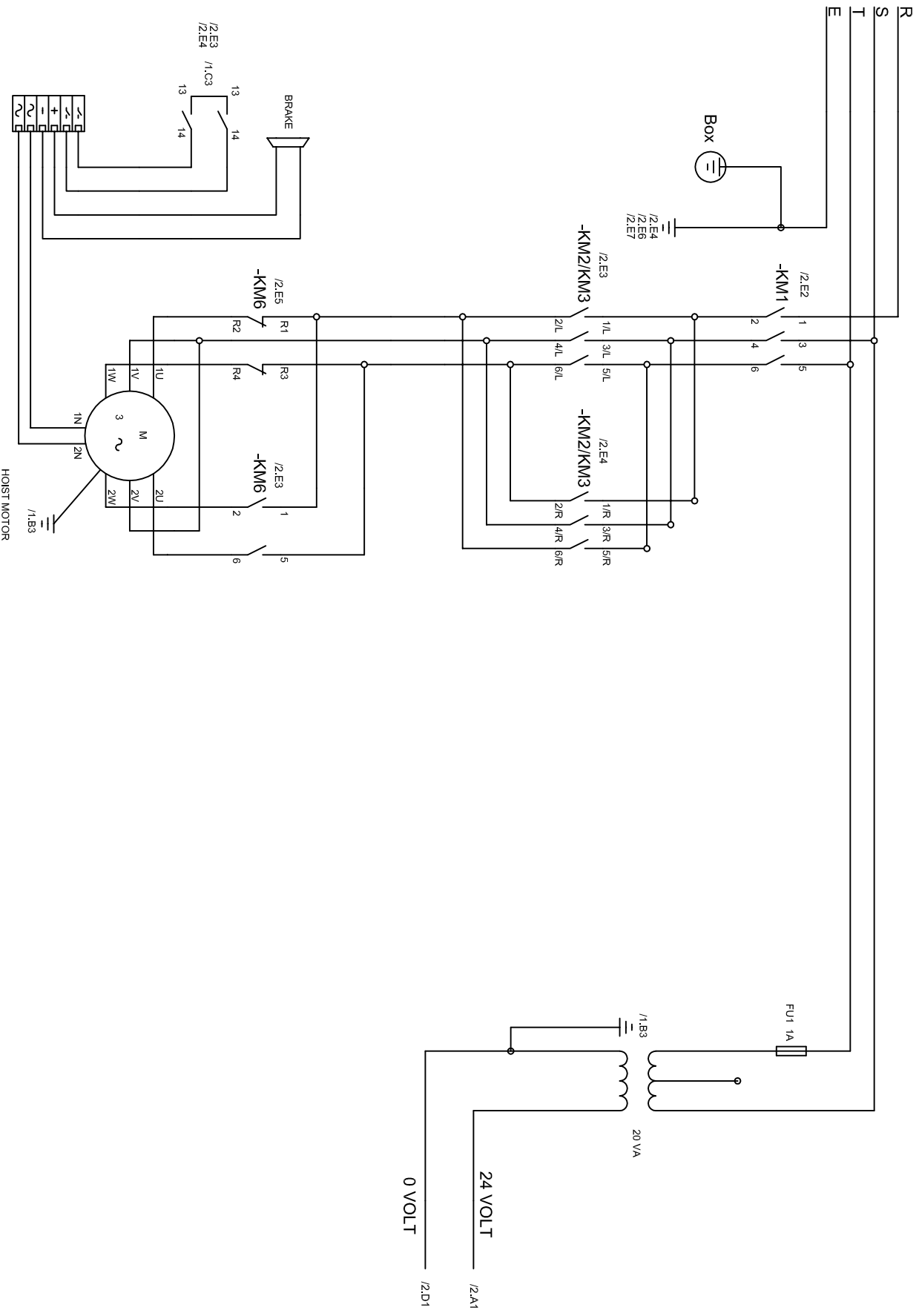
sheet 1/2

R-W-M

ELECTRICAL DRAWING FOR
HOIST SINGLE SPEED
BRAKE 180 V. DC

Cod. POT. W 1V

VOLT 600 HZ 60



R-W-M		TITLE		Cod.	
		ELECTRICAL DRAWING HOIST		W.2V	
DATE		DOUBLE SPEED		VOLT 600 HZ 60	
19/09/13		BRAKE 180 V. DC		sheet 1	
sheet 1/2					

A B C D E F

1 2 3 4 5 6 7 8

R
S
T
E

1 2 3 4 5 6

1/L 2/L 3/L 4/L 5/L 6/L

1/R 2/R 3/R 4/R 5/R 6/R

1 2 3 4 5 6

1N 2N 3

1U 1V 1W 2U 2V 2W

13 14

1/L 2/L 3/L 4/L 5/L 6/L

1/R 2/R 3/R 4/R 5/R 6/R

1 2 3 4 5 6

1N 2N 3

1U 1V 1W 2U 2V 2W

13 14

1/L 2/L 3/L 4/L 5/L 6/L

1/R 2/R 3/R 4/R 5/R 6/R

1 2 3 4 5 6

1N 2N 3

1U 1V 1W 2U 2V 2W

13 14

1/L 2/L 3/L 4/L 5/L 6/L

1/R 2/R 3/R 4/R 5/R 6/R

1 2 3 4 5 6

1N 2N 3

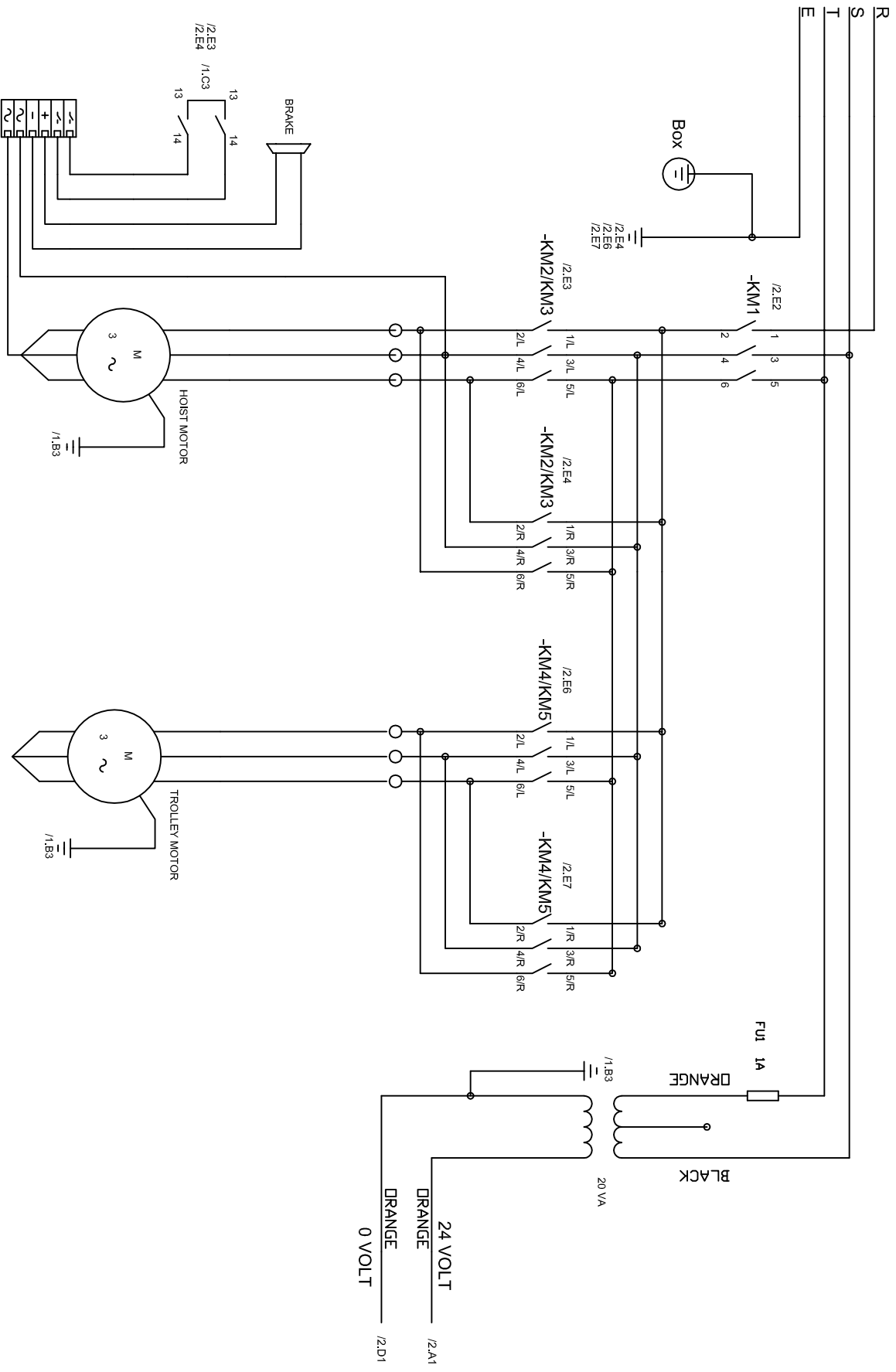
1U 1V 1W 2U 2V 2W

13 14

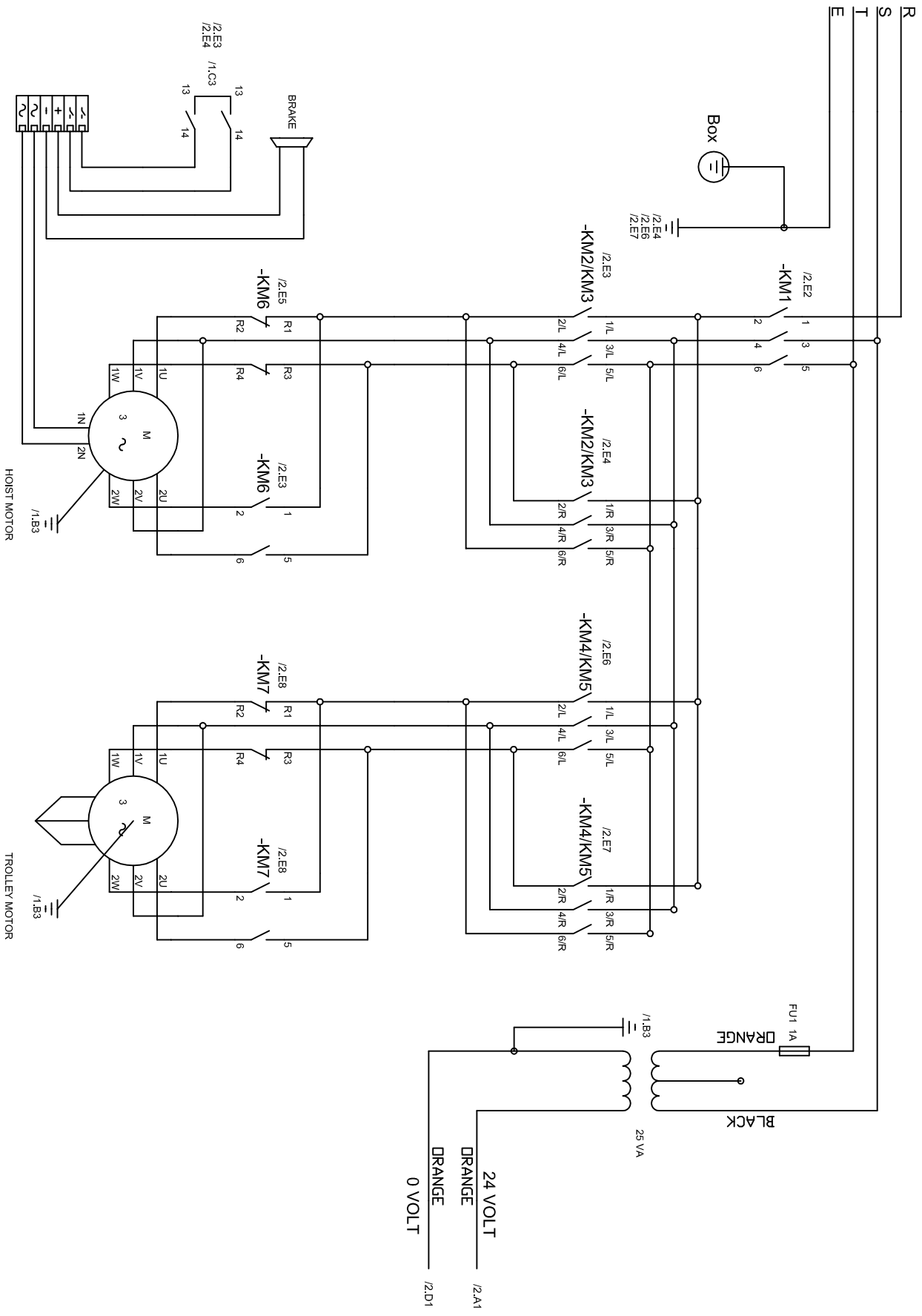
1/L 2/L 3/L 4/L 5/L 6/L

1/R 2/R 3/R 4/R 5/R 6/R

1 2 3 4 5 6 7 8



R-W-M		TITLE	
ELECTRICAL DRAWING FOR		HOIST 1 SPEED AND TROLLEY 1 SPEED	
BRAKE 180 V. DC		Cod.	
DATE		W 1V CE 1V	
sheet 1/2		19/09/13	
19/09/13		VOLT 600 HZ 60	



R-W-M		TITLE		Cod.	
ELECTRICAL DRAWING HOIST 2		W 2V+2V		VOLT 600 HZ 60	
SPEED TROLLEY 2 SPEED		BRAKE 180 V. DC		sheet 1	
SHEET 1/2		DATE 19/09/13		sheet 1	

1 2 3 4 5 6 7 8

A B C D E F